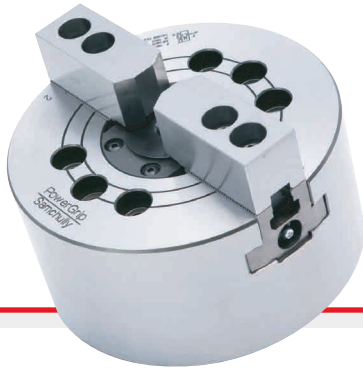
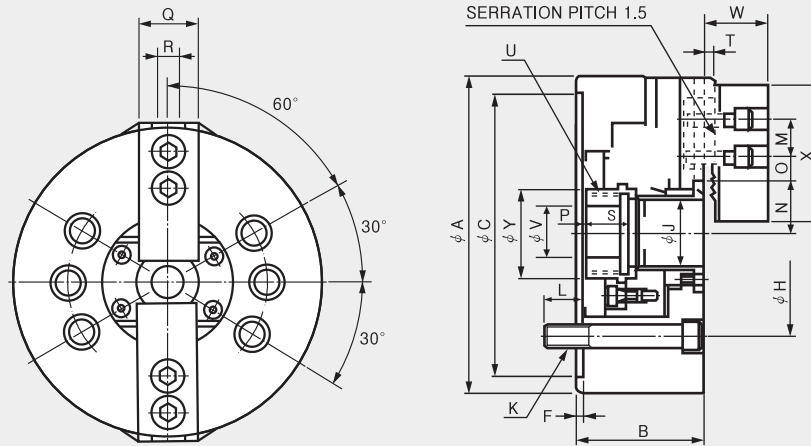


HST/HHT

2-JAW HIGH-SPEED OPEN-CENTER CHUCK



2-jaw high-speed wedge-type open-center power chuck



Dimensions

	A	B	C(H6)	F	H	J	K	L	M	Nmax.	Nmin.	Omax.	Omin.	Pmin.	Pmax.	Q	R	S	T	Umax.	V	W	X	Y
HST-06	169	81	140	5	104.8	46	6-M10×95	16	20	32	29.25	22.75	9.25	-1	11	26	12	19	2	M55×2.0	20	29	66	60
HST-08	210	91	170	5	133.4	52	6-M12×105	20	25	38.7	35	30	15	-1.5	14.5	35	14	20.5	2	M60×2.0	30	39	95	66
HST-10	254	100	220	5	171.4	77	6-M16×100	22	30	51	46.6	34	14.5	-10.5	8.5	40	16	25	2	M85×2.0	45	43	110	94
HST-12	304	110	220	6	171.4	91	6-M16×110	23	30	61.3	56	45.75	15.75	-15	8	49	21	28	2	M100×2.0	50	50.5	111	108
HHT-206	175	81	40	5	104.8	52	6-M10×95	31	20	38	34.8	21.75	10.25	-1	14	31	12	17.5	2	M60×2.0	20	32	72	65
HHT-208	210	91	170	5	133.4	66	6-M12×115	42	25	45.7	42	23.75	11.75	-10	7.5	35	14	27	2	M75×2.0	30	39	95	80

Specifications

	Thru Hole Diameter. (mm)	Grip Dia. (mm)		Jaw STROKE Diameter. (mm)	PLUNGER STROKE (mm)	Permissible Input Force KN(kgf)	Max. Static Gripping Force KN(kgf)	Max. r.p.m min ⁻¹ (r.p.m)	weight kgf	GD ² N · m ² (kgf · m ²)	Operating Cylinder	Max. Hydraulic Pressure MPa(kgf/cm ²)	KITAKAWA Model
		Max.	Min.										
HST-06	46	169	15	5.5	12	14.5 (1479)	38 (3875)	6000	11.5	2.21 (0.225)	SH-13046 (SYH-1246)	1.85 (18.9)	BT-206
HST-08	52	210	14	7.4	16	23.2 (2366)	57.3 (5843)	5000	21.3	6.47 (0.66)	SH-15052 (SYH-1552)	1.80 (18.4)	BT-208
HST-10	77	254	31	8.8	19	28.5 (2906)	74 (7546)	4200	33.5	12.06 (1.23)	SH-18077 (SYH-1877)	1.80 (18.4)	BT-210
HST-12	91	304	34	10.6	23	36.7 (3742)	96 (9789)	3300	52	27.46 (2.8)	SH-21091 (SYH-2091)	1.81 (18.5)	BT-212
HHT-206	52	175	16.5	6.5	15	16.6 (1700)	38 (3875)	6000	11.5	2.2 (0.225)	SH-15052 (SYH-1552)	1.18 (12)	-
HHT-208	66	210	23	7.4	17.5	23.5 (2397)	85 (5914)	5000	21.7	6.47 (0.66)	SH-17068 (SYH-1768)	1.59 (16.3)	-

※ Maximum turning speed is based on actual measurements.
 ※ Specifications are subject to change without notice.