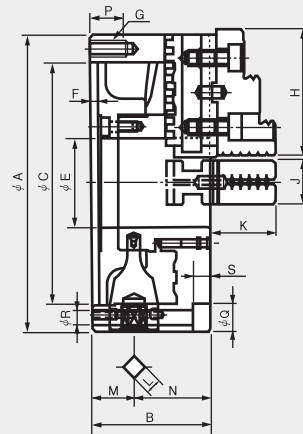
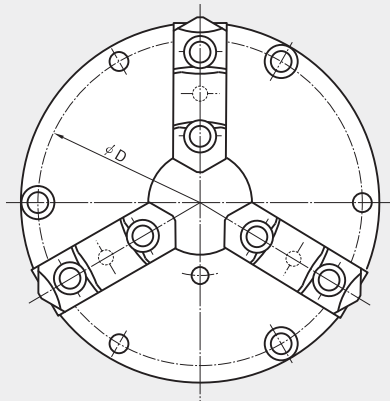


FTC

STANDARD FRONT-MOUNTING SCROLL CHUCK (2-PIECE JAWS)



Front-mounting 2-piece jaw scroll chuck
(incl. soft and hard top jaws)



Dimensions

	A	B	C(H6)	D	E	F	G	H	J	K	L	M	N	P	Mounting Bolt			
															Q	R	S	Bolt
FTC-190(7")	192	78.7	155	172	57	5	3-M10	80.5	28	42.8	11	27.5	51.2	20	16.5	10.5	10.5	M10
FTC-230(9")	232	83.7	190	210	75	6	3-M12	90.5	32	53.8	12	29.5	54.2	25	20	13	12.5	M12
FTC-273(10")	273	88	230	250	89	6	3-M12	103.5	35	57.82	12	31.5	56.5	25	20	13	12.5	M12
FTC-310(12")	310	96	260	285	100	7	3-M12	115.5	40	56.08	14	31.5	64.5	25	20	13	12.5	M12
FTC-460(18")	460	114	400	425	190	8	-	140(130)	50	80	17	28	76	-	26	18	18	6-M16X125
FTC-535(21")	535	143	270	235	195	12	-	150(130)	50	82	22	57.5	85.5	-	32	22	22	6-M20X140
FTC-610(24")	610	143	300	260	216	14	-	150(130)	50	82	22	57.5	85.5	-	32	21	22	6-M20X140
FTC-610HA(24")	610	143	380	315	275	14	-	130	50	82	22	57.5	85.5	-	32	22	21	6-M20X140

Specifications

	Max. Static Gripping dia. KN(kgf)	Max. rpm min ⁻¹ (rpm)	weight kgf	GD ² N·m ² (kgf·m ²)	(Gripping diameter)		Handle Torque N·m(kgf·m)
					(External) φmm	(Internal) φmm	
FTC-190(7")	31(3161)	3500	12.2	2.35(0.24)	4~180	56~170	107.9(11.0)
FTC-230(9")	37(3773)	2900	21.2	6.27(0.64)	5~220	62~210	147(15.0)
FTC-273(10")	46(4691)	2500	28	9.90(1.01)	5~260	70~250	176.5(18.0)
FTC-310(12")	55(5608)	2200	41	23.0(2.35)	10~300	86~290	206(21.0)
FTC-460(18")	65(6650)	870	106	124(12.6)	40~410	152~436	255.0(26)
FTC-535(21")	73(7400)	950	182	287(29.3)	45~481	155~499	313.9(32)
FTC-610(24")	80(8200)	850	238	488(49.8)	50~576	160~592	372.7(38)
FTC-610HA(24")	80(8200)	850	238	488(49.8)	130~576	235~592	372.7(38)

※ Specifications are subject to change without notice.